



CONGRATULATIONS ON YOUR PURCHASE
OF THE SKAB MNS-1 TOOL

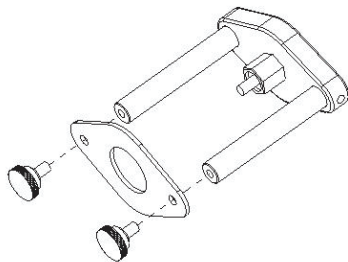
WWW.SKABTOOLZ.COM

THE SKAB MNS-1 TOOL IS A SELF CENTERING TOOL DESIGNED TO FACILITATE THE INSTALLATION OF FANGLED NUTS INTO STEERER TUBES. WITH THE MNS-1 TOOL, NUTS ARE INSTALLED TO A DEPTH OF 15mm , AND CENTERED EVERY TIME.

PLEASE READ THE FOLLOWING INSTRUCTIONS TO ENSURE PROPER USE OF YOUR MNS-1 TOOL.

STEP ONE

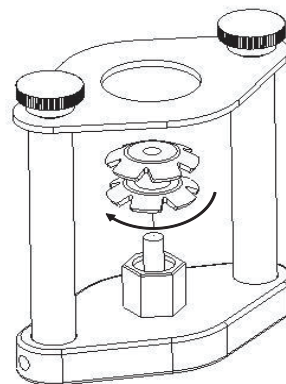
Select required guide plate based on steerer tube diameter. For 1 1/8" steerer tubes, both plates can be mounted. For 1.5" steerer tubes, the 1 1/8" plate must be removed. Mount the guide plate(s) with the thumbscrews provided.



! Ensure thumbscrews are tight to prevent loosening of the guide plate during use.

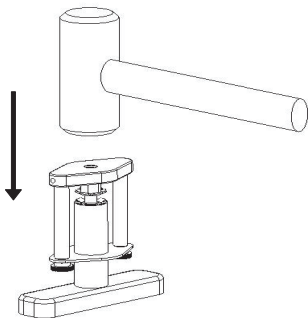
STEP TWO

Install the fangled nut by threading it clockwise on to the MNS-1 tool.



STEP THREE

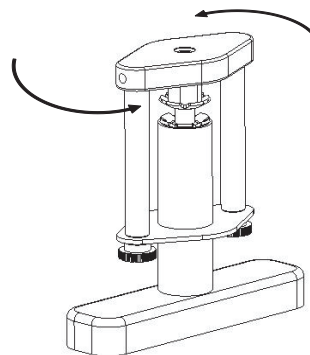
Slide the MNS-1 tool over the steerer tube of the fork. Force the fangled nut into place by hitting the top of the MNS-1 tool with a rubber or plastic mallet.



! The use of a metal hammer can damage the MNS-1 tool.

STEP FOUR

For removal, simply turn the MNS-1 tool counter-clockwise to unscrew the tool from the fangled nut. Remove from steerer tube.



NOTE: IF STEERER TUBE IS CUT TO LENGTH, BURRS AND SHARP EDGES MUST BE REMOVED PRIOR TO USING THE MNS-1 TOOL