



CONGRATULATIONS ON YOUR PURCHASE  
OF THE SKAB PTH-1 TOOL

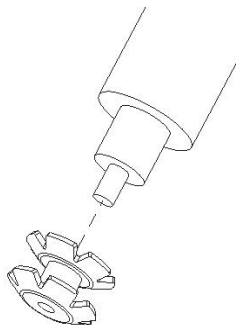
[WWW.SKABTOOLZ.COM](http://WWW.SKABTOOLZ.COM)

THE SKAB PTH-1 TOOLS IS DESIGNED EXCLUSIVELY FOR USE  
WITH THE PARK TNS-1 TOOL. THE SKAB PTH-1 TOOL  
ALIGNs FANGLED NUTS INTO STEERER TUBE FOR  
PERFECT INSTALLATION.

PLEASE READ THE FOLLOWING INSTRUCTIONS TO ENSURE PROPER USE OF YOUR PTH-1 TOOL.

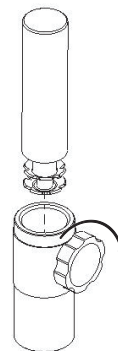
## STEP ONE

THREAD FANGLED NUT ON TO PARK TNS-1 TOOL



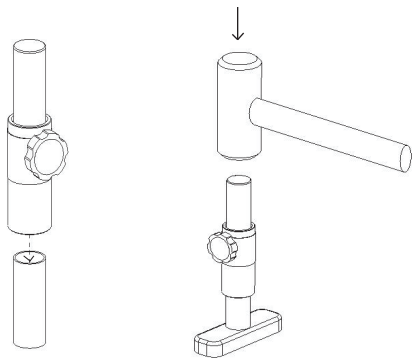
## STEP TWO

SLIDE SKAB PTH-1 TOOL OVER THE PARK TOOL  
FROM THE BOTTOM. PLACE THE TOOL AS LOW  
AS POSSIBLE, AND SECURE IT IN PLACE BY  
TIGHTENING THE THUMBSCREW.



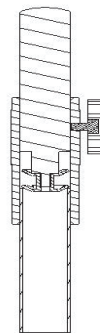
## STEP THREE

ONCE JOINED TOGETHER, SLIDE THE TOOL OVER  
STEERER TUBE, AND INSTALL FANGLED NUT AS  
NORMALLY DONE BY HAMERING THE TNS TOOL.



## HOW IT WORKS

THE SKAB PTH-1 TOOL PREVENTS MISALIGNED  
NUTS BY GUIDING THE TNS TOOL AXIALLY  
WITH THE STEERER TUBE.



## REMOVAL

AFTER INSTALLING THE NUT,  
REMOVE BOTH TOOLS  
TOGETHER BY TURNING  
COUNTERCLOCKWISE

NOTE: IF STEERER TUBE IS CUT TO LENGTH, BURRS AND SHARP EDGES MUST BE REMOVED PRIOR TO USING THE PTH-1 TOOL